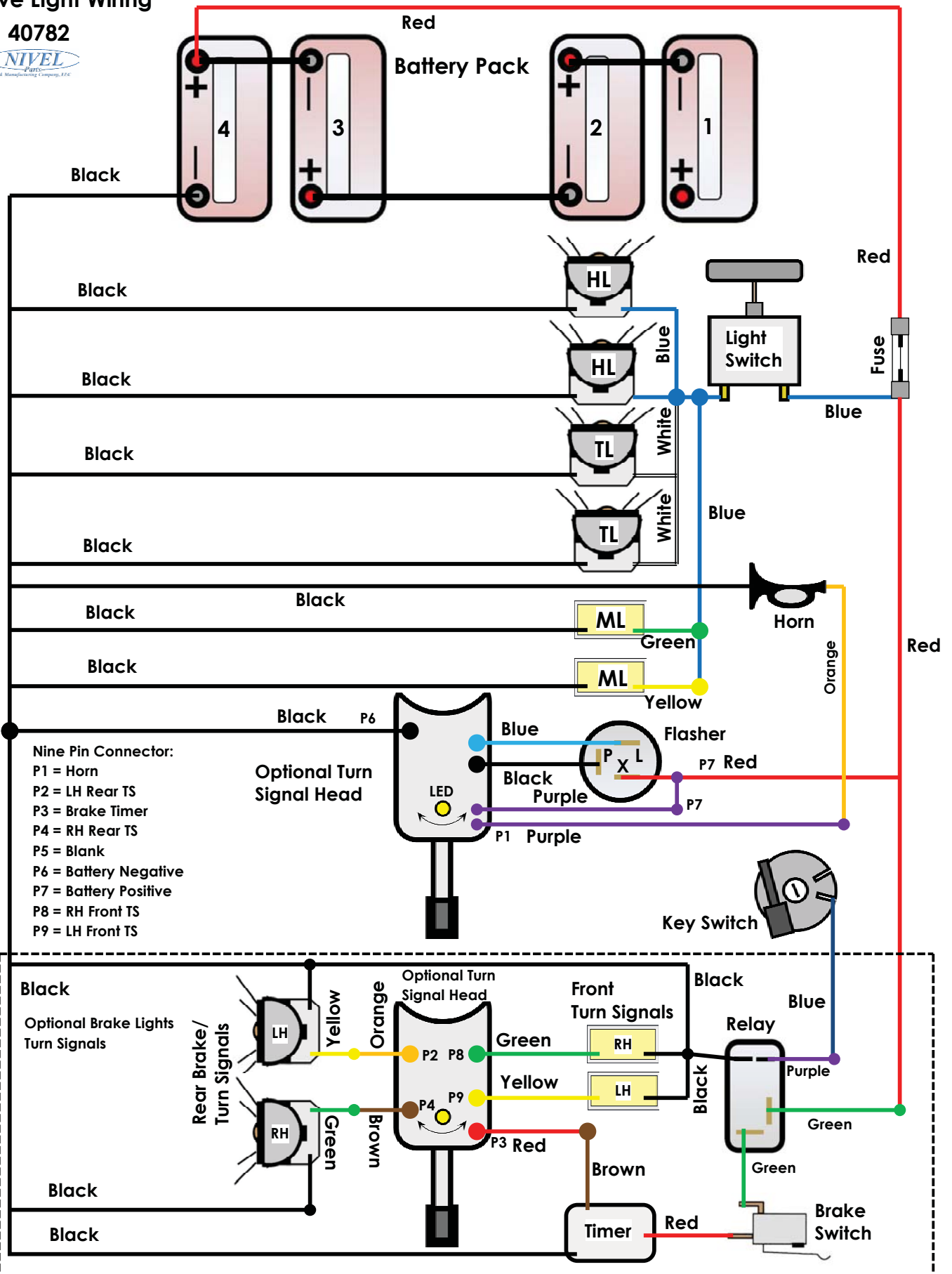
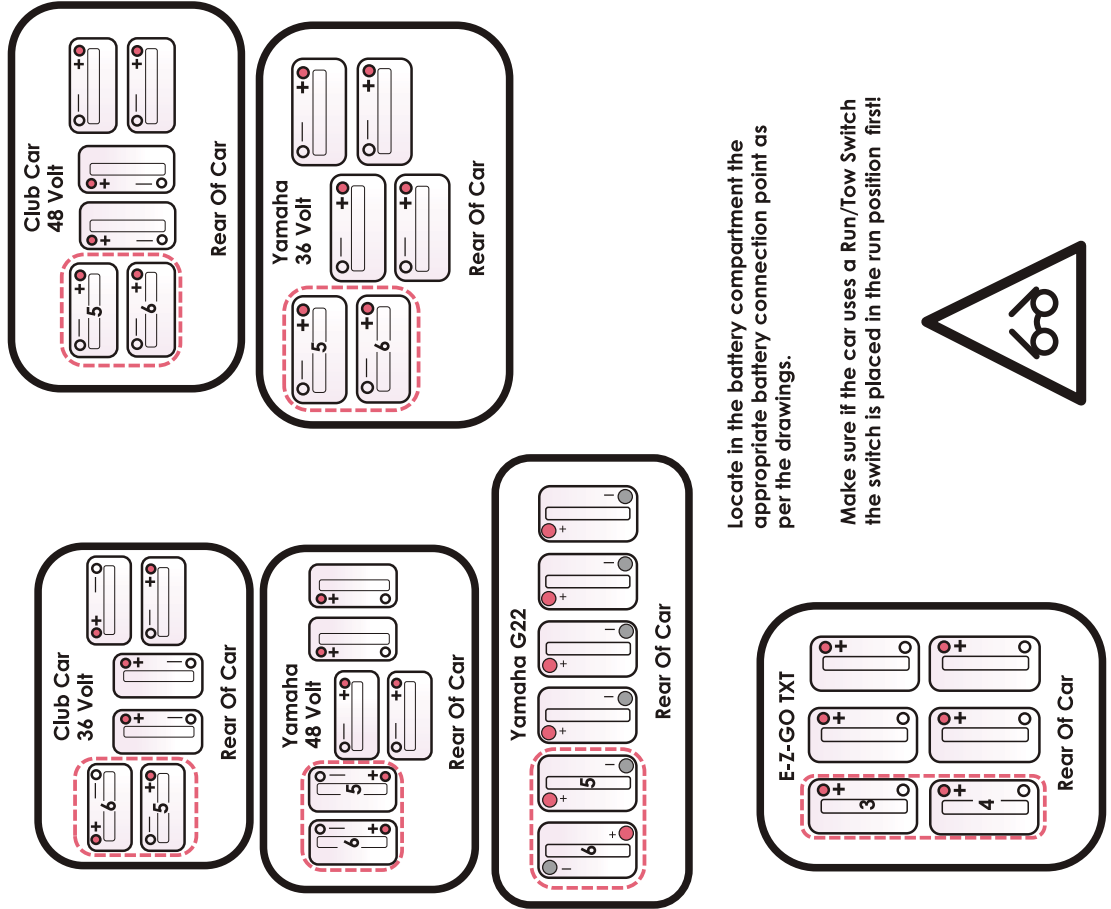
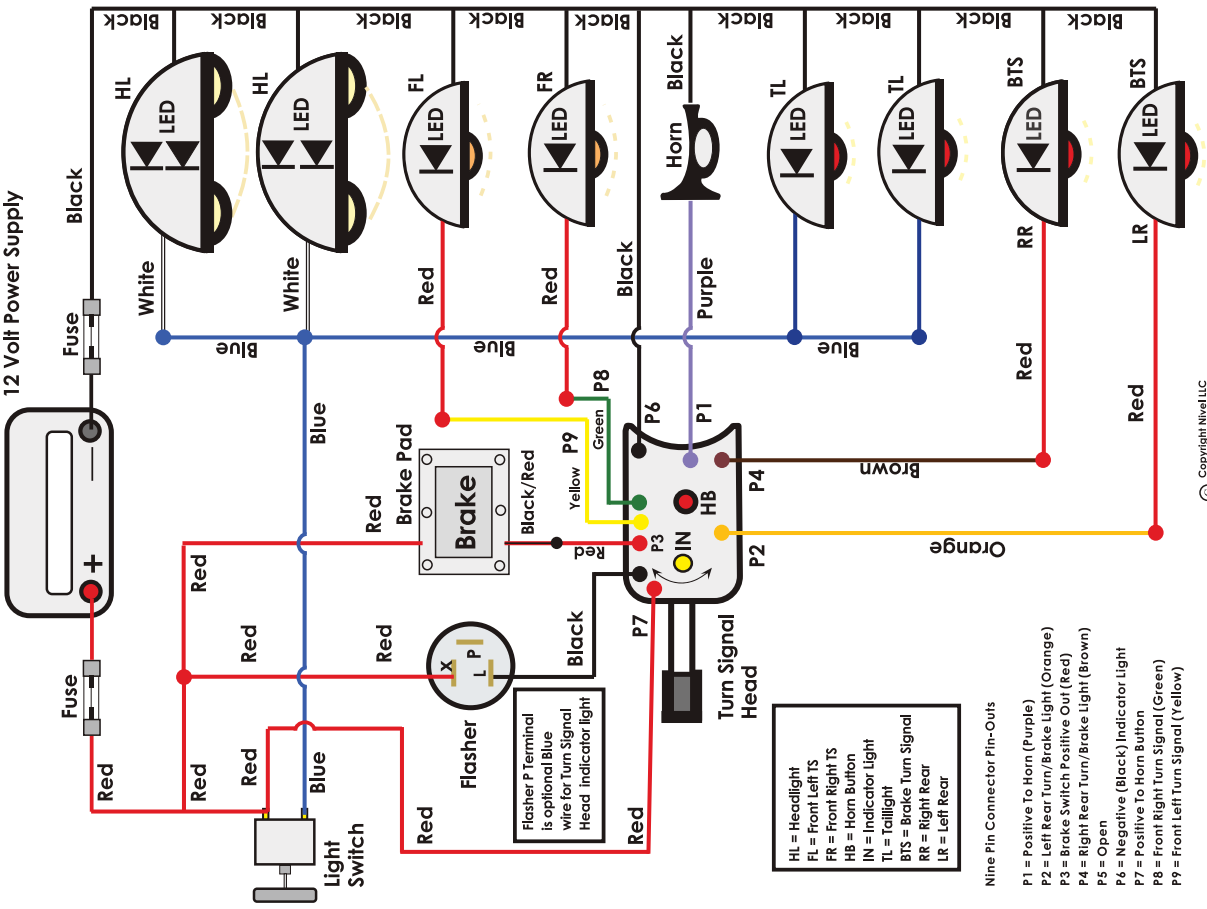


Drive Light Wiring

40782

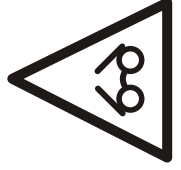


31540~31541~31542 LED Light Kit Battery Connections

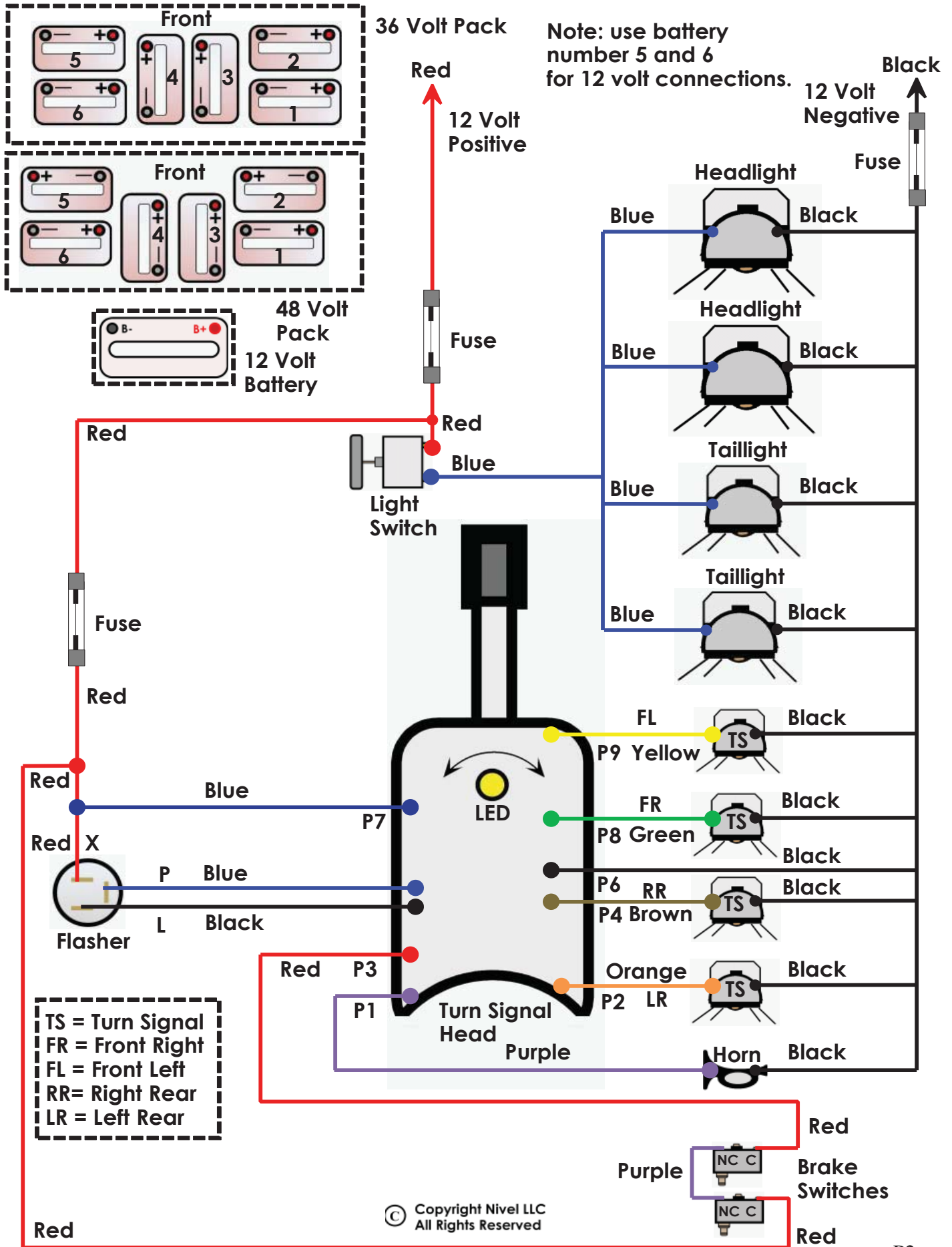


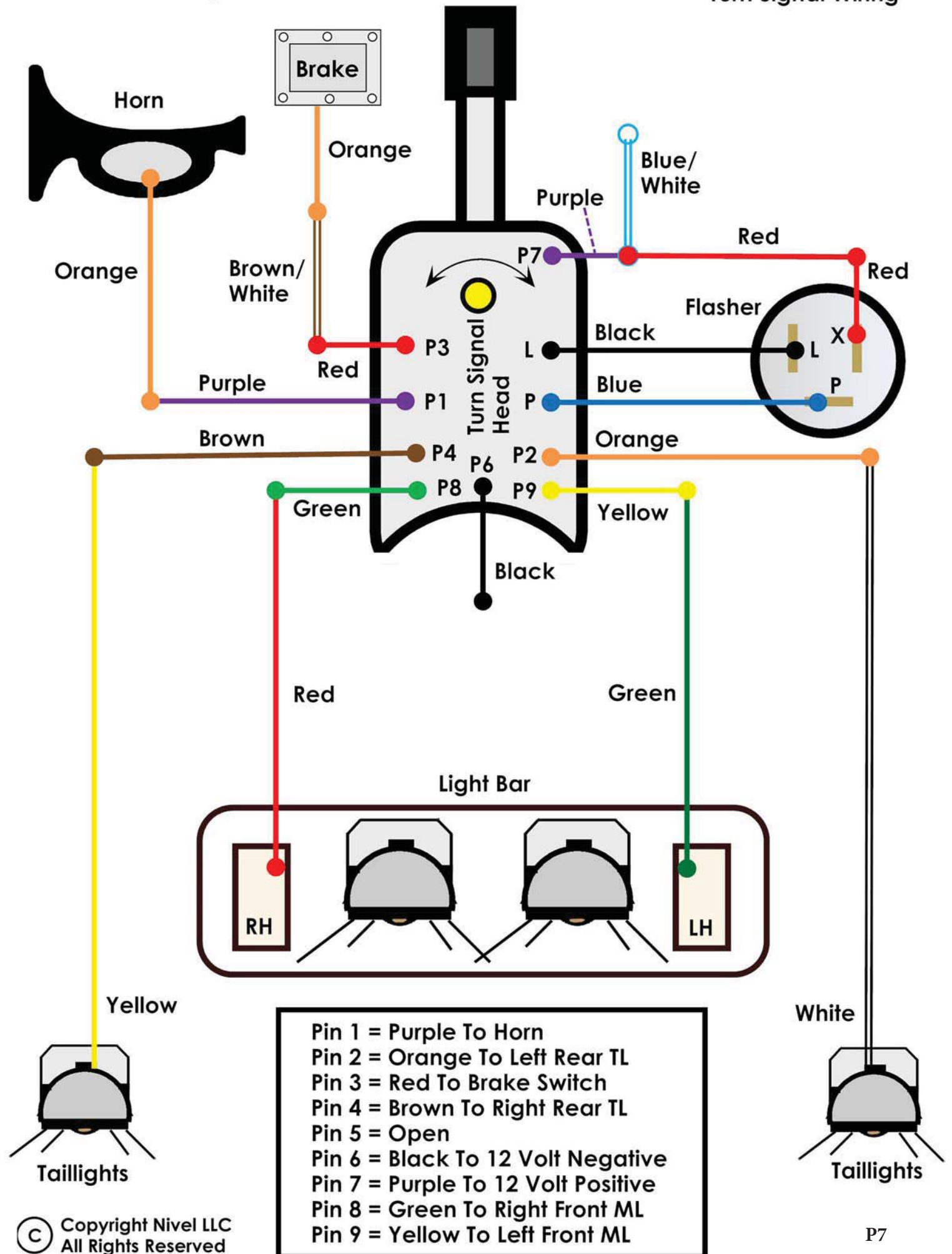
Locate in the battery compartment the appropriate battery connection point as per the drawings.

Make sure if the car uses a Run/Tow Switch the switch is placed in the run position first!



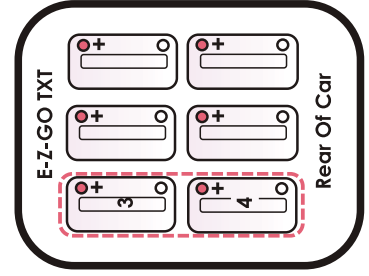
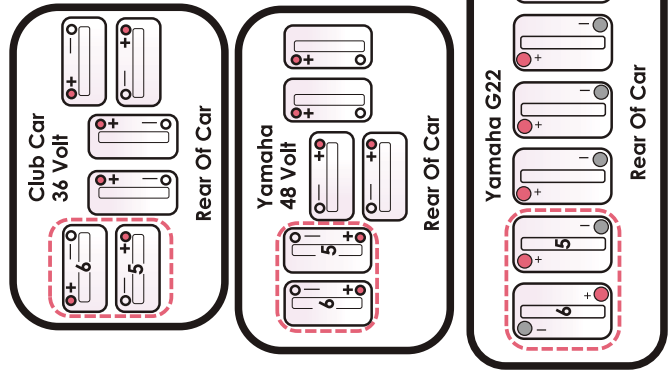
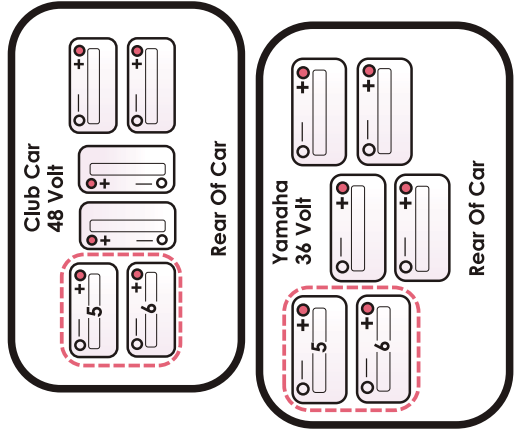
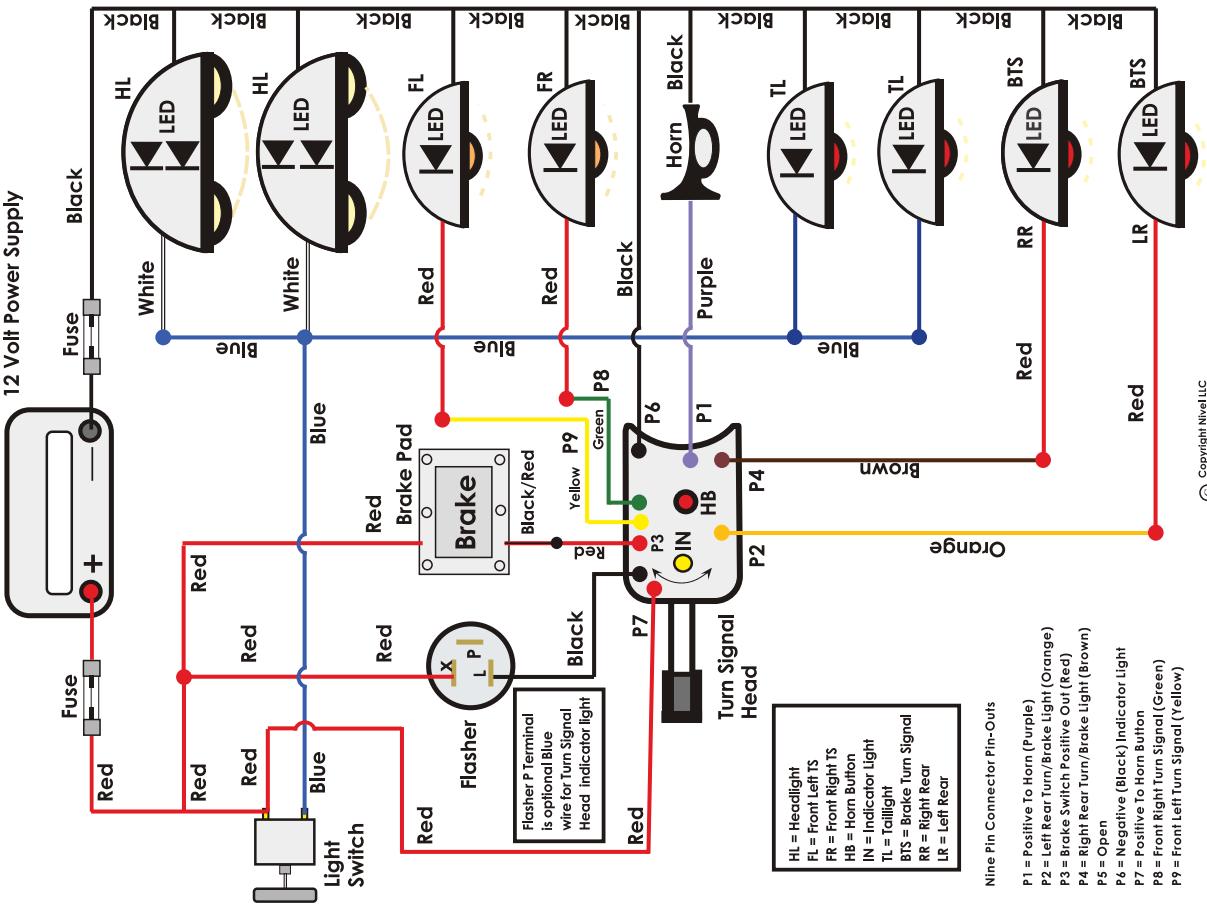
Caution: Wear Appropriate Eye Protection!





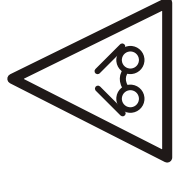
- Pin 1 = Purple To Horn
 Pin 2 = Orange To Left Rear TL
 Pin 3 = Red To Brake Switch
 Pin 4 = Brown To Right Rear TL
 Pin 5 = Open
 Pin 6 = Black To 12 Volt Negative
 Pin 7 = Purple To 12 Volt Positive
 Pin 8 = Green To Right Front ML
 Pin 9 = Yellow To Left Front ML

31540~31541~31542 LED Light Kit Battery Connections



Locate in the battery compartment the appropriate battery connection point as per the drawings.

Make sure if the car uses a Run/Tow Switch the switch is placed in the run position first!



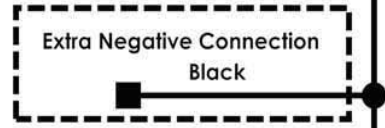
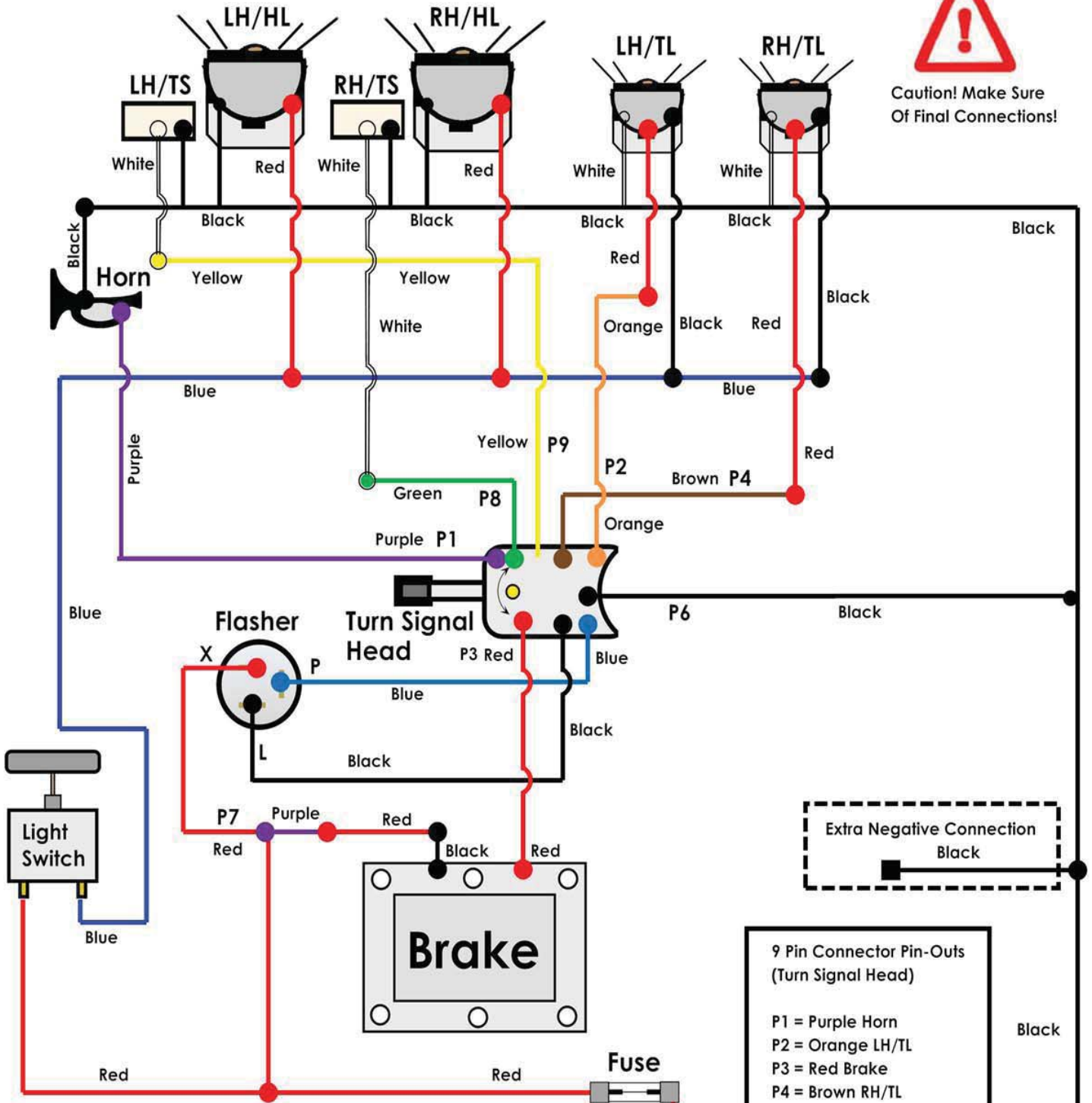
Caution: Wear Appropriate Eye Protection!

© Copyright Hivolt LLC All Rights Reserved

RXV Light Harness LED 31545



Caution! Make Sure Of Final Connections!



P1	= Purple Horn
P2	= Orange LH/TL
P3	= Red Brake
P4	= Brown RH/TL
P5	= Blank
P6	= Black Negative
P7	= Red/Purple Positive
P8	= Green RH/TS
P9	= Yellow LH/TS

Actual Taillight Wire Colors Can Be Red For Brake/Turn Signal. Actual Taillights can be black. Some taillights use white as negative and some use black. Our kits use the wire colors you see on this diagram and is our version. In the event you change the lights you must confirm colors.

